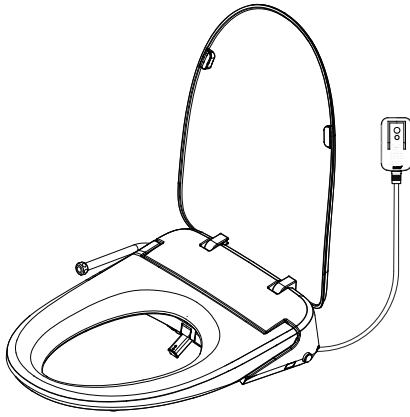


## INSTRUCTIONS FOR MODELS

TS-9000



### NEED HELP?

For additional assistance or service please contact:

**SPEAKMAN®**

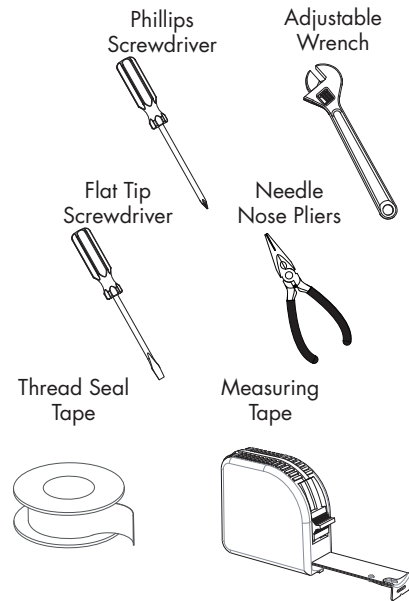
800-537-2107

customerservice@speakman.com

www.speakman.com

92-TS-9000-02

## TOOLS AND SUPPLIES



### IMPORTANT

When using electrical products, especially when children are present, basic safety precautions should always be followed, including the following:

- This product is not intended for children (without proper adult supervision).
- This product is not intended for individuals with reduced physical, sensory, or mental capabilities.

### SAFETY TIPS

#### **DANGER: To reduce the risk of electrocution:**

1. Do not place or store product where it can fall or be pulled into a tub or sink.
2. Do not place in or drop into water or other liquid.
3. Do not reach for a product that has fallen into water. Unplug immediately.
4. Do not wash the main unit or electrical plug with water or detergent.
5. Do not handle the electrical plug with wet hands.
6. Never block the outlet of the air dryer.
7. Never disassemble, repair or modify this product.
8. Ensure Power Cable is unplugged during the installation and maintenance of the appliance.

## IMPORTANT

#### **WARNING: To reduce the risk of burns, electrocution, fire, or injury to persons:**

- Close supervision is necessary when this product is used by, on, or near children or individuals with disabilities.
- Use this product only for its intended use as described in this manual. Do not use attachments not recommended by the manufacturer.
- Never operate this product if it has a damaged cord or plug, if it is not working properly, if it has been dropped or damaged, or dropped into water.
- Keep the cord away from heated surfaces.
- This appliance **MUST** be plugged directly into a properly grounded electrical outlet. Extension cords are **NOT** permitted. (See *Grounding Instructions*.)
- Do not throw cigarettes and/or other ignited materials into toilet.
- This product is an electric appliance, avoid direct contact with water or other liquids.
- Do not position the product on its side or upside down while making electrical connections.
- It is not recommended to use other electric appliances in the same outlet.
- Do **NOT** reuse any existing water supply hoses, otherwise it might cause leakage, fire or electrical shock. Installation of the bidet seat should include specified components and new water supply hose.

### GROUNDING INSTRUCTIONS

This product **MUST** be used with a properly grounded electrical outlet.

#### **DANGER: Improper use of the grounding plug can result in a risk of electric shock**

This product is factory equipped with a specific electric cord and plug to permit connection to a proper electric circuit. Make sure that the product is connected to an outlet having the same configuration as the plug. No adapter should be used with this product. Do not modify the plug provided — if it will not fit the outlet, have the proper outlet installed by a qualified electrician. If the product must be reconnected for use on a different type of electric circuit, the reconnection should be made by qualified service personnel.

## IMPORTANT

#### **CAUTION: Failure to follow the instructions may cause bodily injury or property damage.**

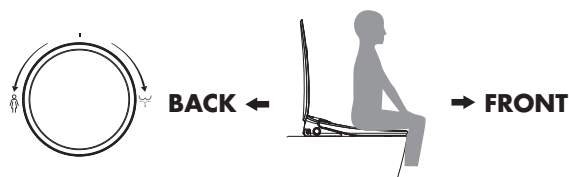
- Do not install or use the product in wet or damp locations such as a steam room.
- Ensure the electrical outlet is positioned where it will not come in contact with water.
- This product is to be used with an electrical system rated at 110V-120V, 50/60Hz. The circuit must be capable of supporting a minimum of 15A.
- It is recommended to unplug the unit during thunderstorms to prevent electrical damage.
- Do not stand on product, seat or seat cover.
- Do not lean against the seat cover when using the product.
- This product is equipped with a soft-closing seat cover. Do not push the toilet seat closed, or damage may occur.
- Do not use any caustic chemicals to clean this product.
- Exposure to direct sunlight is not recommended.
- Do not connect water supply to a **HOT** water supply. Make sure inlet water temperature is between 37.4~95°F.
- Do **NOT** expose the Bidet Seat or Toilet to freezing conditions.
- If the unit will not be used for an extended period of time, it is recommended to unplug the electrical connection, turn of water supplies, and drain any water present in the Bidet.
- If the unit is malfunctioning, unplug from electrical connections, and turn OFF water supply.

### WARRANTY

1 Year Limited Warranty

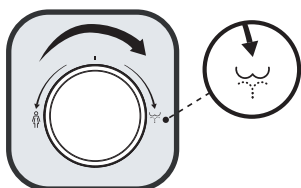
Warranty information can be found at: [www.speakman.com](http://www.speakman.com)

## MAIN UNIT KNOB INSTRUCTIONS (KNOB ACTIVATION)



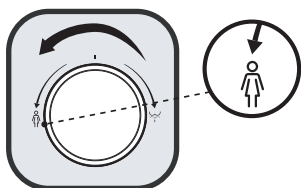
**NOTE:** The timing shown is the **Maximum Cycle Time** before the unit will switch to the next function or turn OFF if it is on the last function in that process. User can press the **Stop Button** or **Press the Knob** to stop the cleaning function early.

### REAR CLEANING KNOB



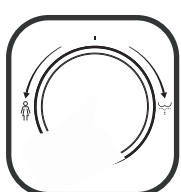
1. While seated, turn Cleaning Knob **forward** to start rear cleaning function.
  - Rear cleaning (about 2 minutes)
  - Drying (about 2.5 minutes)
  - Drying cycle will stop automatically when completed.
2. During the rear cleaning process, turning the knob forward will move the washing position further forward.

### FRONT CLEANING KNOB



1. While seated, turn Cleaning Knob **rearwards** to start front cleaning function.
  - Front cleaning (about 2 minutes)
  - Drying (about 2.5 minutes)
  - Drying cycle will stop automatically when completed.
2. During the front cleaning process, turning the knob rearwards will move the washing position further rearward.

### STOP KNOB



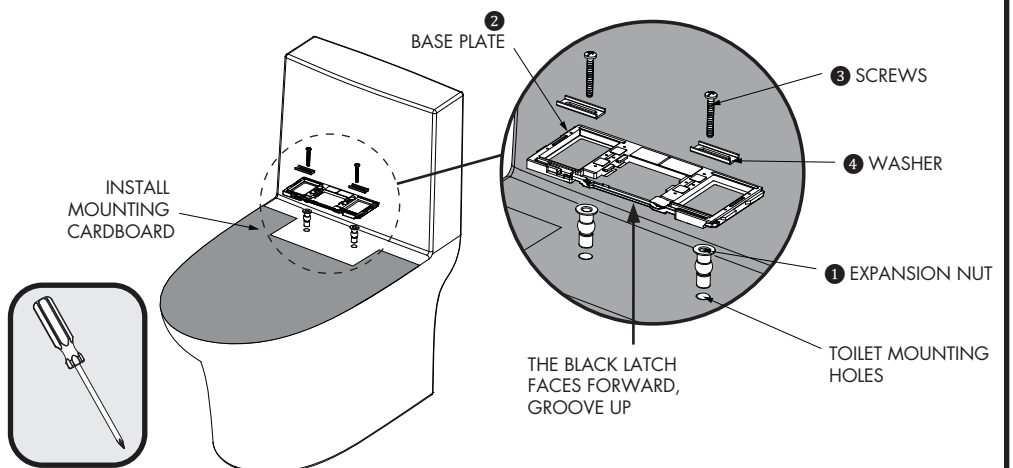
Press the Activation Knob to **Stop** the function in progress: Rear Cleaning, Front Cleaning, Drying or Nozzle Cleaning Function.

**NOTE:** The Cleaning Cycle will stop automatically when complete, or can be stopped at any time by pressing the **STOP** button. The Drying Function will need to be manually activated if the Cleaning Function was stopped mid-cycle.

## BASE INSTALLATION

### 1 **IMPORTANT!** Do NOT install unit where it may come in direct contact with water.

- Install the Expansion Nuts (1) into the Toilet Mounting Holes first, and then install Base Plate (2), Washer (3) and Screws (4) in sequence according to the below illustration, then tighten.



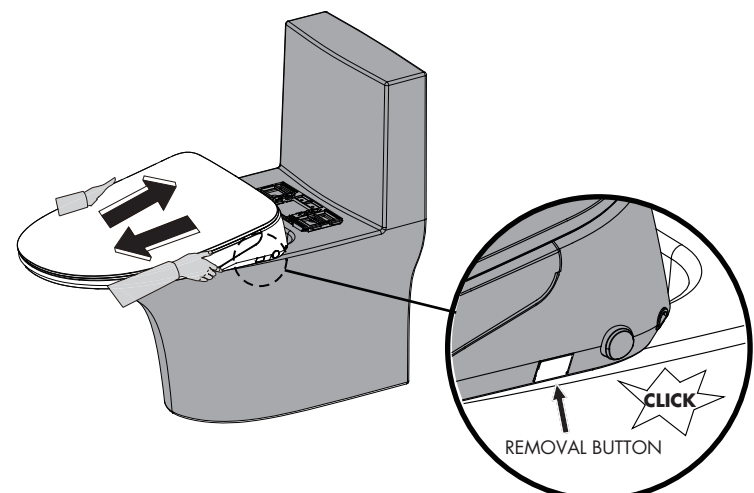
**NOTE:** This product has been tested for water flow before leaving the factory. There may be a small amount of residual water still in the unit that spills out during installation.

## MAIN UNIT INSTALLATION

### 2 • **Main Unit Installation:** Align Main Unit to Base Plate and slide it into the Base Plate. The components will audibly "click" together when properly installed.

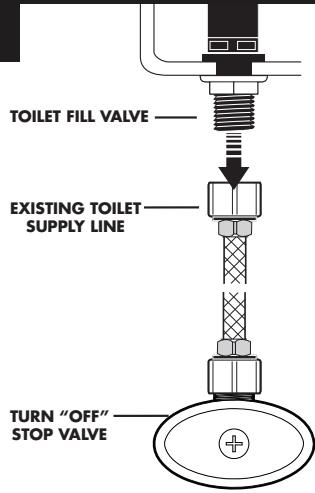
- **Removal of Main Unit:** Press the "Removal button", and pull out the Main Unit when a "click" sound is heard.

**NOTE:** Once the Removal Button is pressed, you do not have to hold it in during the removal process.

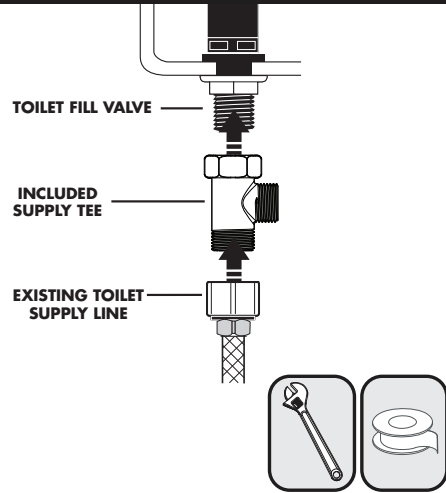


## PLUMBING CONNECTIONS

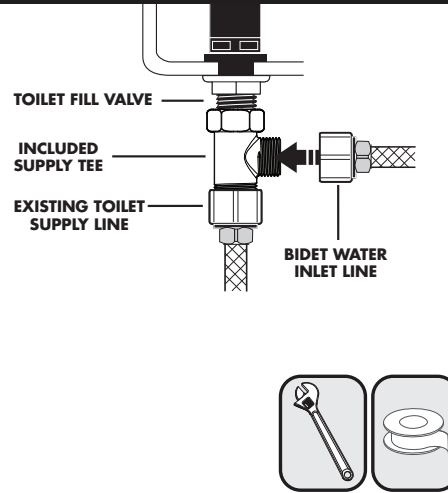
3



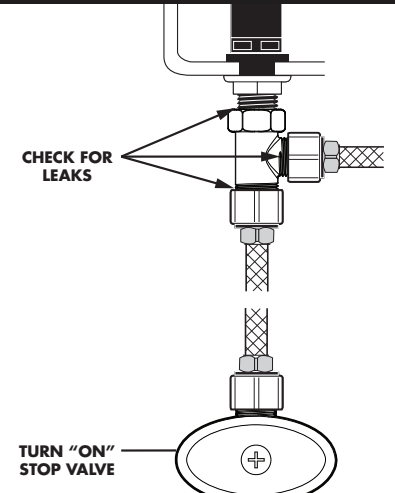
- Turn OFF water supplies at the Stop Valve.
- Unthread existing Toilet Supply Line from Toilet Fill Valve. The Toilet Fill Valve inlet is located at the base of the Toilet Tank.



- Install the included Tee on to the Toilet Fill Valve. Do NOT over-tighten or damage may occur.
- Re-install Toilet Supply Line to bottom port of Tee.



- Install the Bidet Water Inlet Line to the Side Port of the Supply Tee.

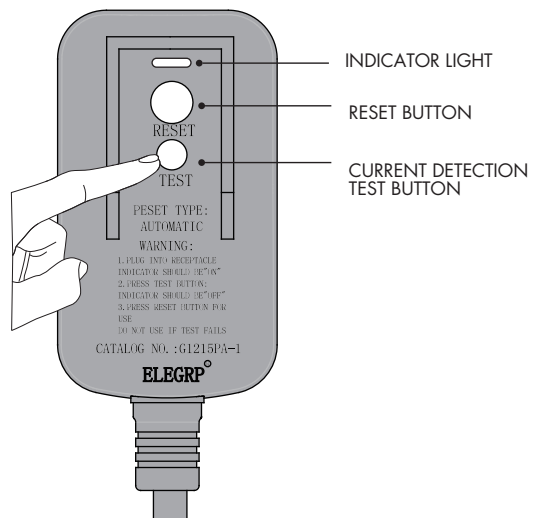


- Tighten connections. Take care to not over-tighten connections or damage may occur.
- Turn "ON" water supply at the Stop Valve and inspect for leaks.

## POWER CONNECTION SET-UP

4

- Insert the Power Adapter into the electrical outlet.
- Press the Reset Switch. The Indicator Light on the power adapter will illuminate to show that the power is ON.



**NOTE:** Press the **TEST** button (then **RESET** button) every month to ensure proper operation.

## INITIAL START UP TEST

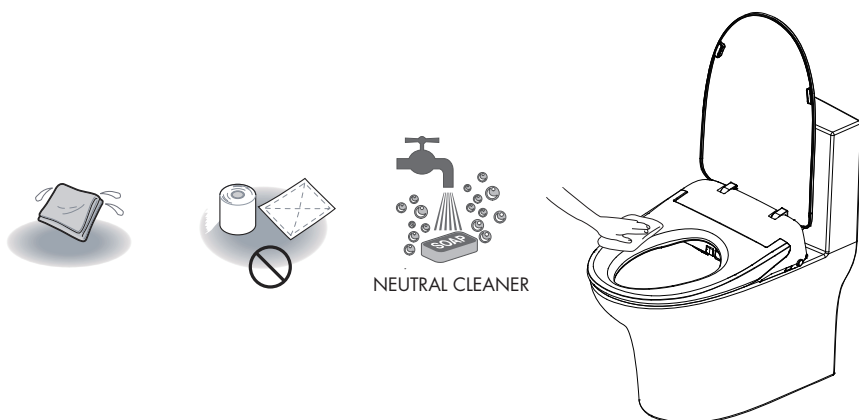
5

When the unit powers on for the first time, it will perform an Automatic Testing Routine. This routine is as follows:

- The Main Unit will beep once, then the purple light on the Function Knob will flash on and off, and the testing routine will begin. The light will continue to flash throughout the test. *Do not use the seat during this time.*
- At the conclusion of the test, the flashing purple light on the function knob will turn solid, signaling that the test is complete.
- The Bidet Seat is now ready for use.

## ROUTINE CLEANING

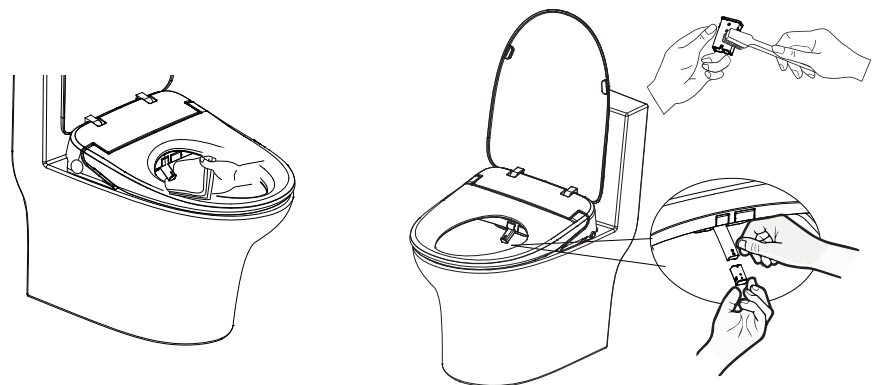
1. Unplug from electrical outlet while cleaning.
2. Use only a soft, damp cloth to clean. Avoid using harsh chemicals.
3. Once cleaning is completed and all surfaces are dry, plug the Power Adapter back into the electrical outlet.



**NOTE:** Do not rinse the surface of the product directly with water during maintenance.

## NOZZLE MAINTENANCE

1. To clean the nozzle, perform a Short Press to the Rear Cleaning Button while not sitting on the unit. The nozzle will extend outward to allow access for cleaning.
2. The Spray Nozzle can be removed and cleaned separately. While holding the Nozzle Housing with one hand, remove the Nozzle itself by gently pulling it towards you with the other hand.
3. Once cleaning is completed, reinstall the Nozzle to the Nozzle Housing. Press the "Stop" button on the main unit to return the Nozzle Rod to its normal position.



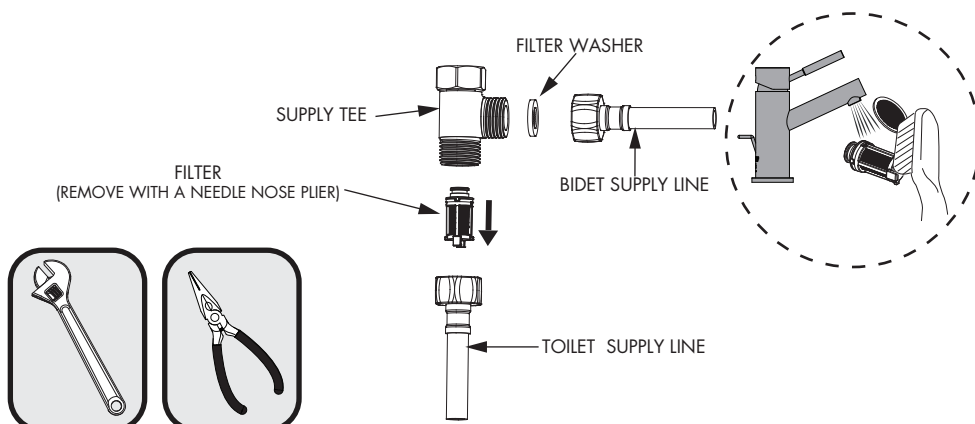
**NOTE:** Do not pull the Nozzle Housing to prevent damage of the Nozzle and motor.

## FILTER MAINTENANCE

If poor spray performance occurs under normal conditions:

1. Turn OFF the water supply at the Stop Valve.
2. Using an Adjustable Wrench, unscrew both the Supply Line to the Toilet and to the Bidet Seat from the Supply Tee.
3. Remove Filter and Filter Washer using Needle Nose Pliers. Clean out Filters under running water using a small brush.
4. Reinstall Filters and Water Supply Lines to Supply Tee.

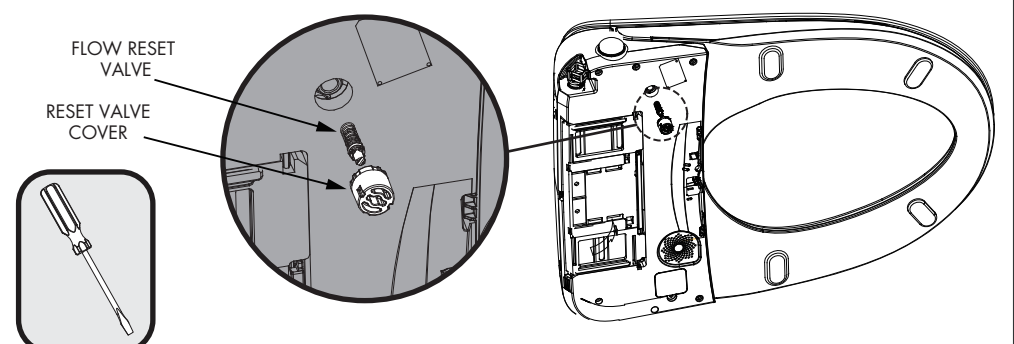
**Note:** Ensure that the Filter is reinstalled in the orientation shown.  
5. Wrench tighten connections. Take care to not over-tighten or damage may occur.



## SELF-CLEANING WATERWAY MAINTENANCE

When the Self-Cleaning Waterway is blocked, or if there is no water coming out during Self-Cleaning process:

1. Turn OFF the water supply at the Stop Valve.
2. Unplug the Power Supply Cord from the electrical outlet.
3. Remove the Seat by following **STEP 2**, press the Flow Reset Valve in the middle with a flat tip screwdriver, then reinstall the Seat, and turn ON the water supply at the Stop Valve.
4. If there is still no water coming out after pressing the Flow Reset Valve, use a flat tip screwdriver to unscrew the Reset Valve Cover, then remove the Flow Reset Valve. Clean it with a small brush. Once cleaned, re-seat the components into the shaft shown below.
5. Reinstall the Seat by following **STEP 2**, then turn ON the water supply.

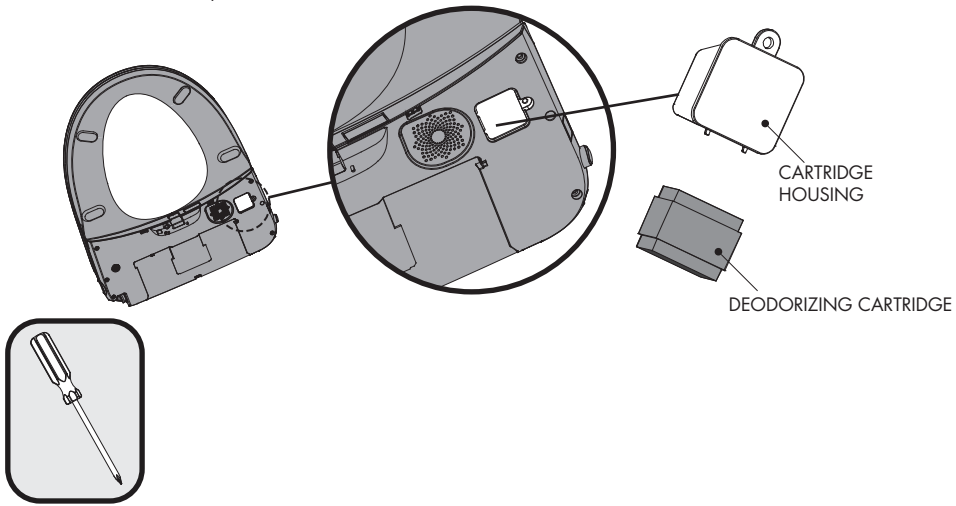


**NOTE:** Ensure the power supply is unplugged when working on unit.

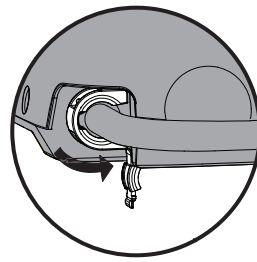
## DEODORIZING DEVICE MAINTENANCE

- Remove the seat assembly as outlined in **STEP 2**.
- Remove the screw from the underside of unit as shown below to access the Deodorizing Cartridge.
- Replacement of the Deodorizing Cartridge is recommended every 3 years.

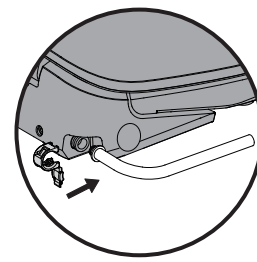
**Note:** It is normal for the Deodorizing Function to continue its operation after the user leaves the seat. This is to ensure complete removal of odors.



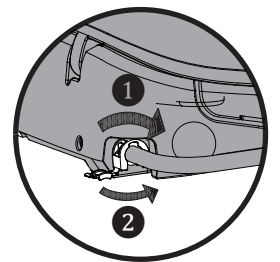
## REMOVAL AND INSTALLATION OF PRE-INSTALLED HOSE CLAMP



**Removal:** Open the Clamp Cover, rotate it counterclockwise, and use a Flat Tip Screwdriver to pry the Clamp out of the slot.



**Installation:** Push the Inlet Tubing into the Quick-Connect Fitting on the unit. Secure with provided Hose Clamp.

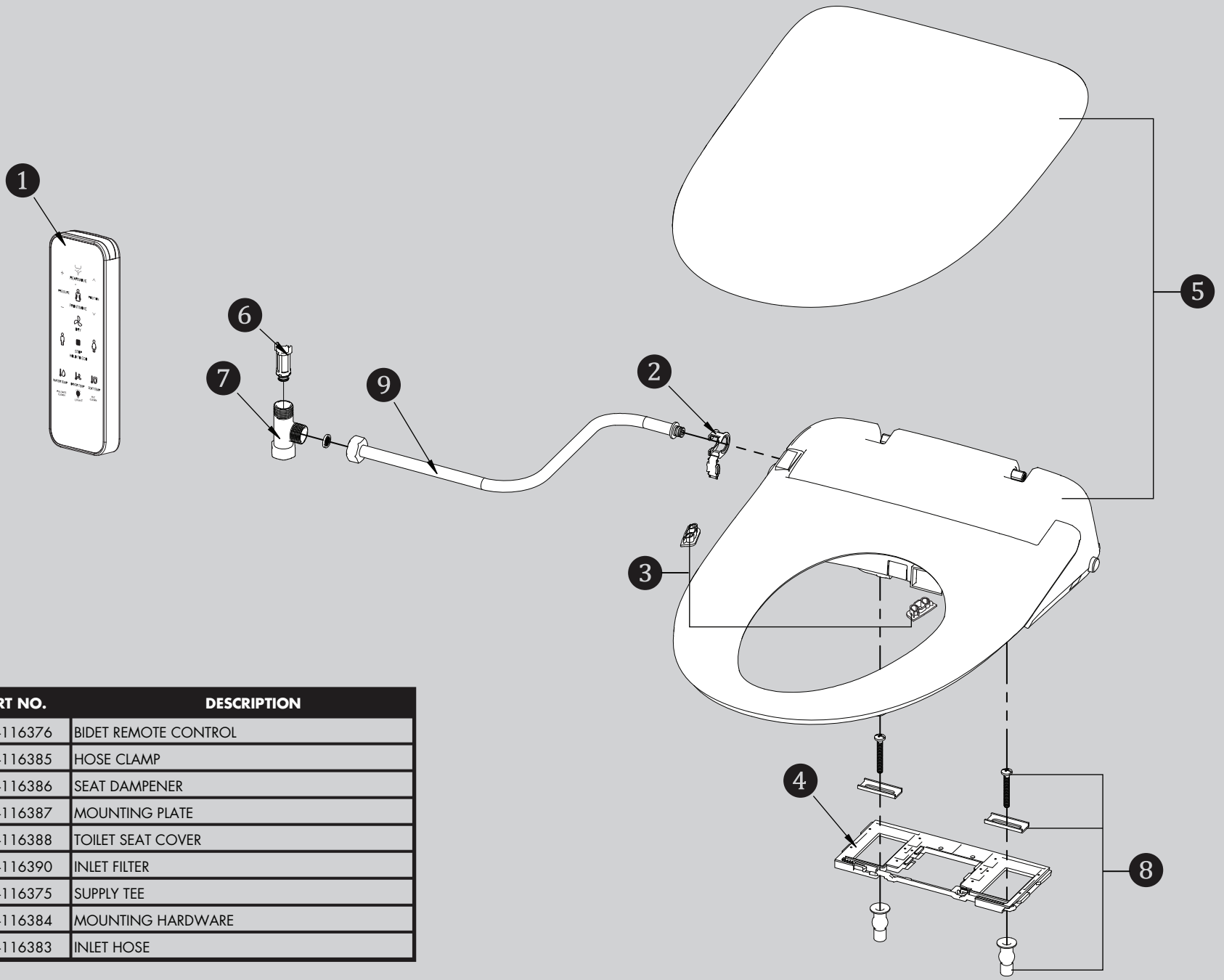


1. Rotate the Clamp until the opening faces down.
2. Close the Clamp cover.

## TS-9000 TROUBLESHOOTING

PROBLEM	CAUSE	SOLUTION
<b>No Water is Released from the Spray Nozzle</b>	Water Inlet hose is bent or kinked	Ensure inlet hose is directly connected to the unit and is not kinked or bent
	Inlet Stop Valve is turned "OFF"	Turn the Inlet Stop Valve "ON"
	Water supply is not connected	Connect water supply and wait for the water
	Unit does not sense user	Ensure user is making full skin contact to entire bidet seat
<b>Poor Water Pressure</b>	Water Inlet hose is bent or kinked	Ensure inlet hose is directly connected to the unit and is not kinked or bent
	Inlet Stop Valve is not fully open	Turn the Inlet Stop Valve "ON"
	Inlet filter is blocked/clogged	Remove and clean Filter as outlined in the "Filter Maintenance" Section
<b>High or Low Water Temperature</b>	The water temperature is set too high or too low	Adjust the water temperature on the Remote Control
<b>High or Low Seat Temperature</b>	The seat temperature is set too high or too low	Adjust the seat temperature on the Remote Control
	The unit is in Standby or Power Saving Mode	Switch to Operating Mode and allow up to 3 minutes for the seat to warm up.
<b>High or Low Seat Temperature</b>	The dryer temperature is set too high or too low	Adjust the dryer temperature on the Remote Control

PROBLEM	CAUSE	SOLUTION
<b>Dryer is not blowing</b>	The unit is in Standby or Power Saving Mode	Switch to Operating Mode to use dryer function.
	Unit does not sense user	Ensure user is making full skin contact to entire bidet seat
<b>Nozzle Rod does not retract</b>	There is no power to the unit	Ensure power supply is connected. If connected, reset the GFCI power adapter.
	The Nozzle Rod is clogged	Clean out the Nozzle as outlined in the "Nozzle Maintenance" section
<b>Nozzle Rod does not extend</b>	There is no power to the unit	Ensure power supply is connected. If connected, reset the GFCI power adapter.
<b>Remote Control is not working</b>	The batteries in the Remote have been installed in the wrong orientation	Reinstall the batteries in the correct orientation
	The batteries in the Remote are old and cannot supply enough power	Replace the batteries
<b>Malfunction of the Deodorization Cartridge</b>	Unit does not sense user	Ensure user is making full skin contact to entire bidet seat
	Deodorization function continues after the user leaves.	It is normal for the Deodorization Function to continue after the user leaves. This ensures complete removal of odors



ITEM NO.	PART NO.	DESCRIPTION
1	RPG05-116376	BIDET REMOTE CONTROL
2	RPG05-116385	HOSE CLAMP
3	RPG05-116386	SEAT DAMPENER
4	RPG05-116387	MOUNTING PLATE
5	RPG05-116388	TOILET SEAT COVER
6	RPG21-116390	INLET FILTER
7	RPG24-116375	SUPPLY TEE
8	RPG48-116384	MOUNTING HARDWARE
9	RPG63-116383	INLET HOSE

TS-9000 ROUGH-IN DIAGRAM

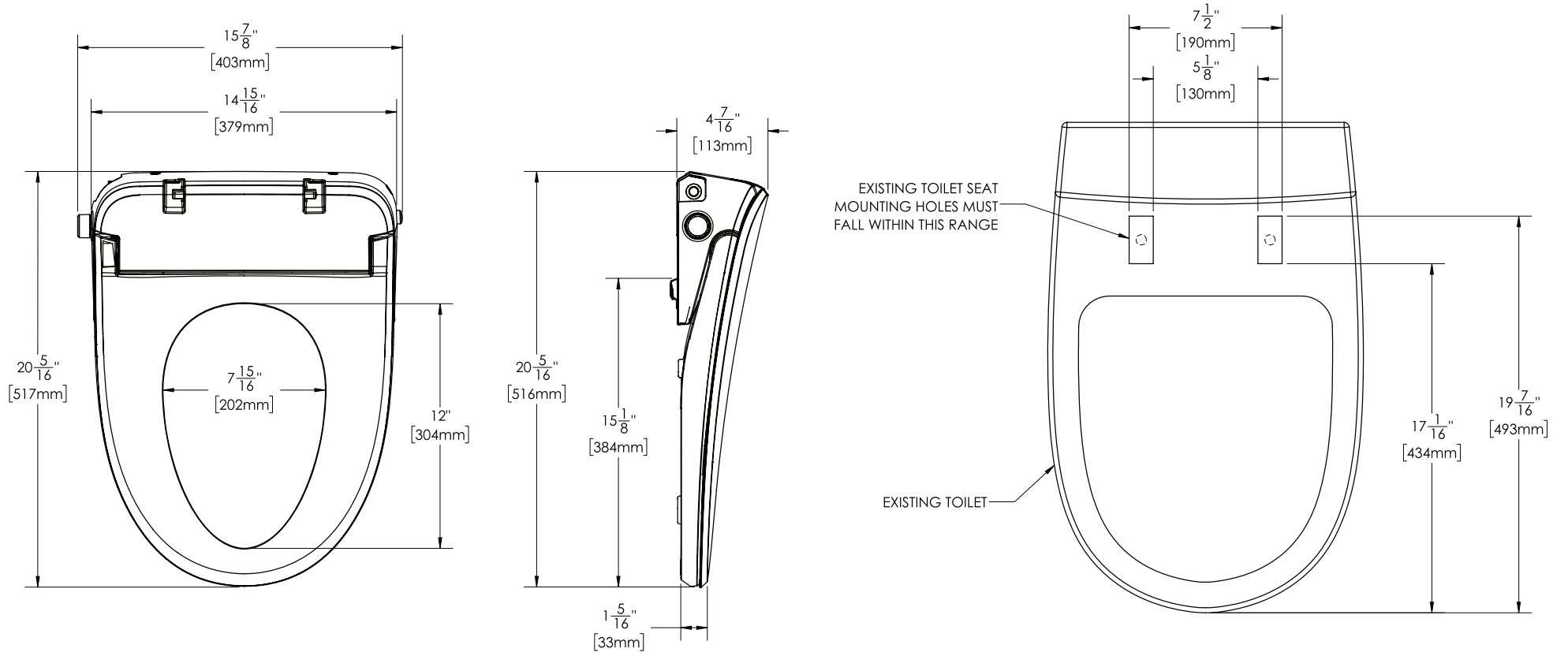
NOTES:

COMPLIANCE:

ASME A112.4.2/CSA B45.16  
 UL 1431  
 CSA C22.2 No. 68  
 CSA C22.2 No. 64

Contractor to supply necessary inlet connections.

\* ONLY FITS ON AN ELONGATED TOILET.



DIMENSIONS SUBJECT TO CHANGE WITHOUT NOTICE.